



HRE-3000-4-3 HEAT REACTIVATED DESICCANT AIR DRYER GENERAL ARRANGEMENT

TOLERANCES UNLESS
OTHERWISE SPECIFIED:

- FRACTIONS = ± 1/4 "
- ANGLES = ± 3°
- INCHES = ± 1/2 "
- FINISH = 250

THE SPECIFICATIONS AND DRAWINGS DISCLOSED HEREIN ARE THE SOLE PROPERTY OF ALTEC AIR, AND SHALL NOT BE COPIED OR USED AS THE BASIS FOR SALE OR MANUFACTURE WITHOUT EXPRESS WRITTEN PERMISSION.

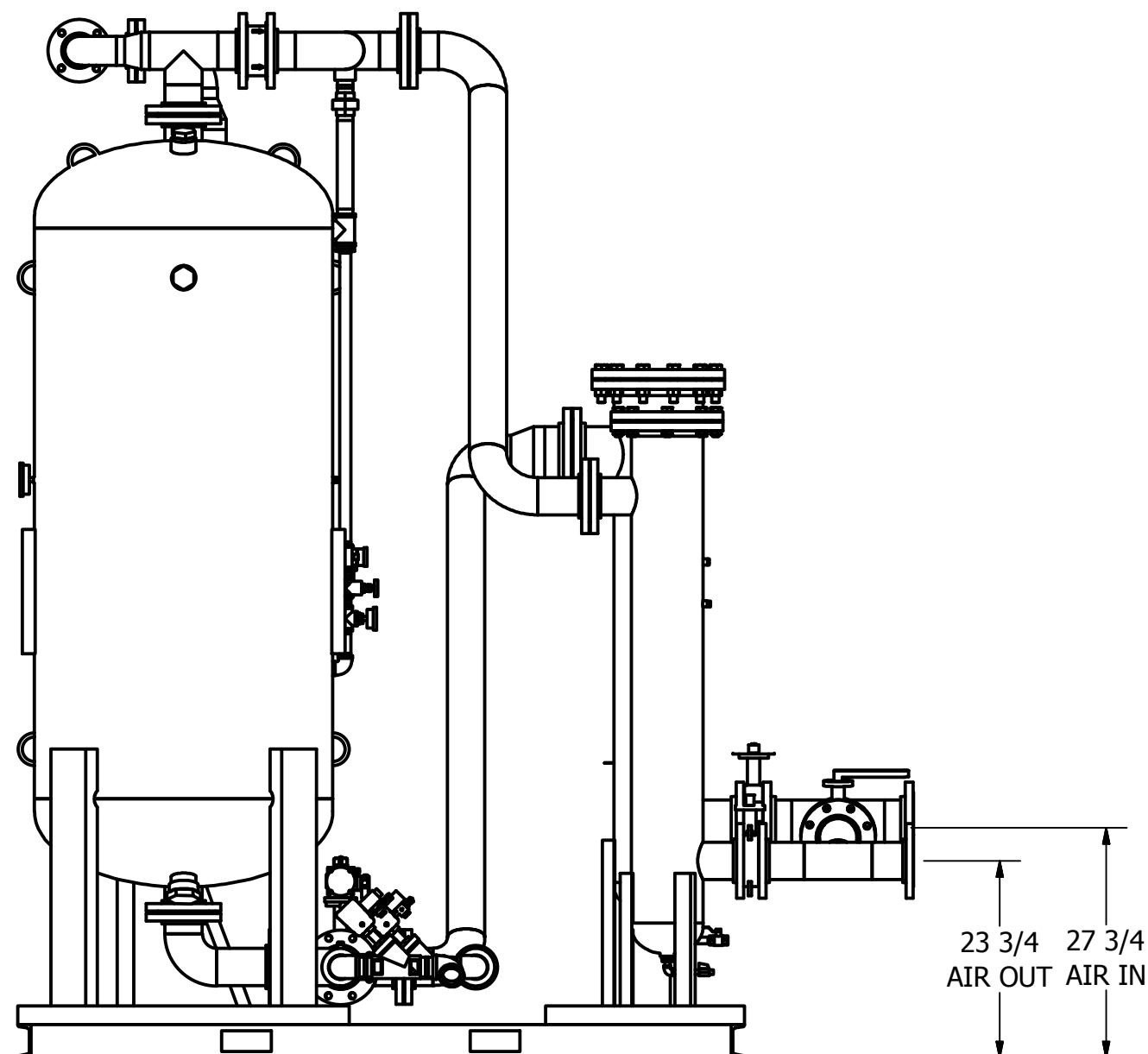
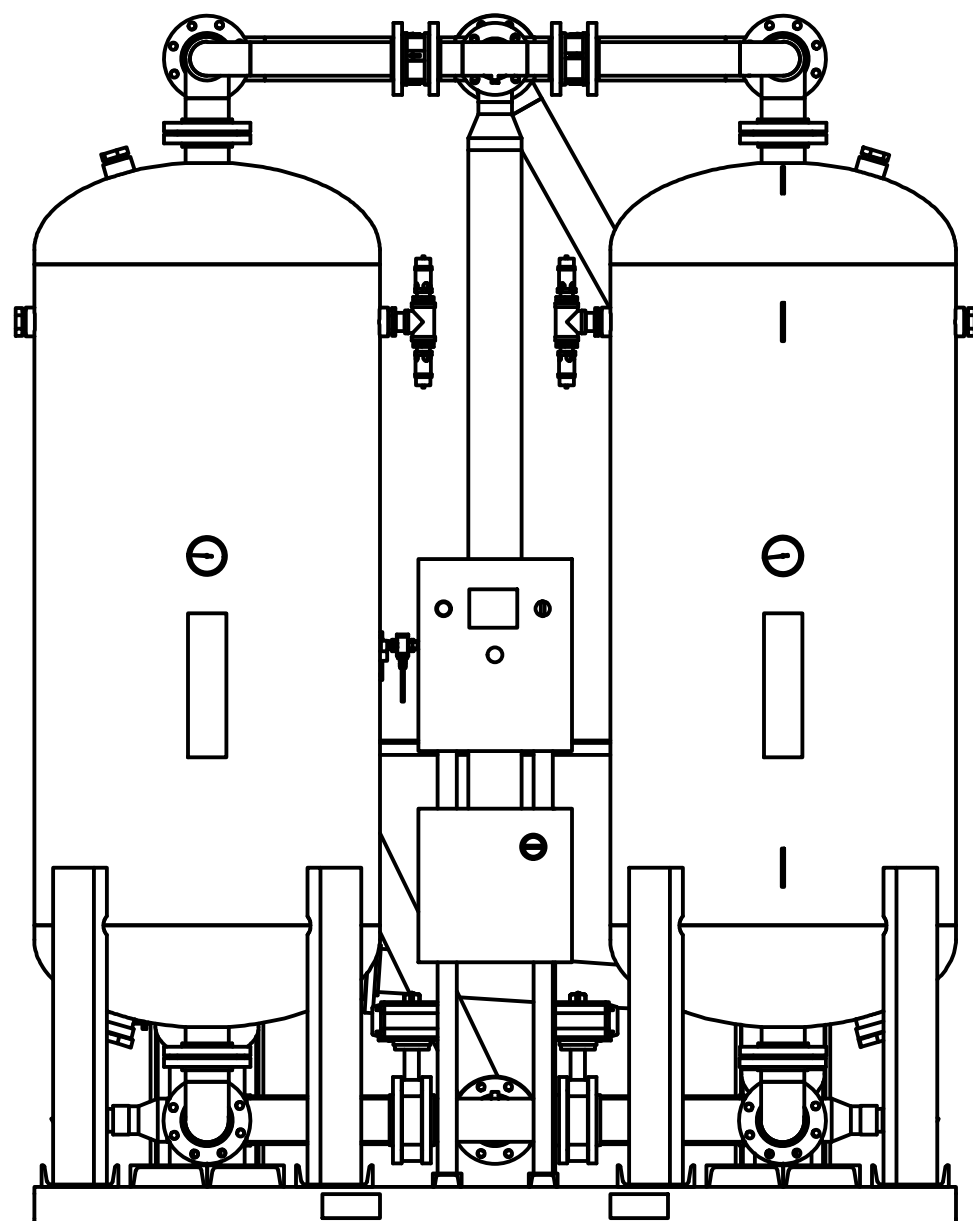
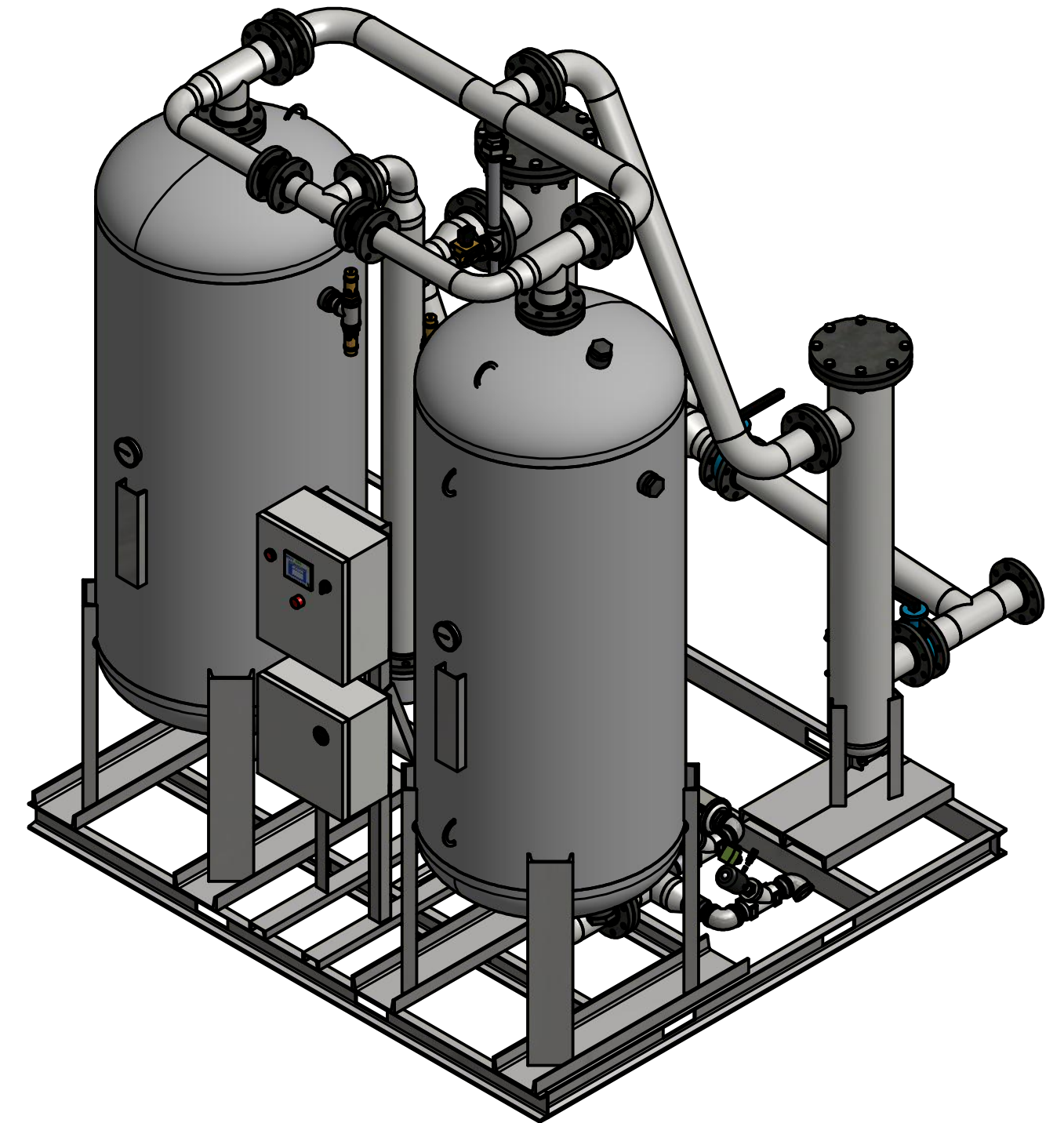
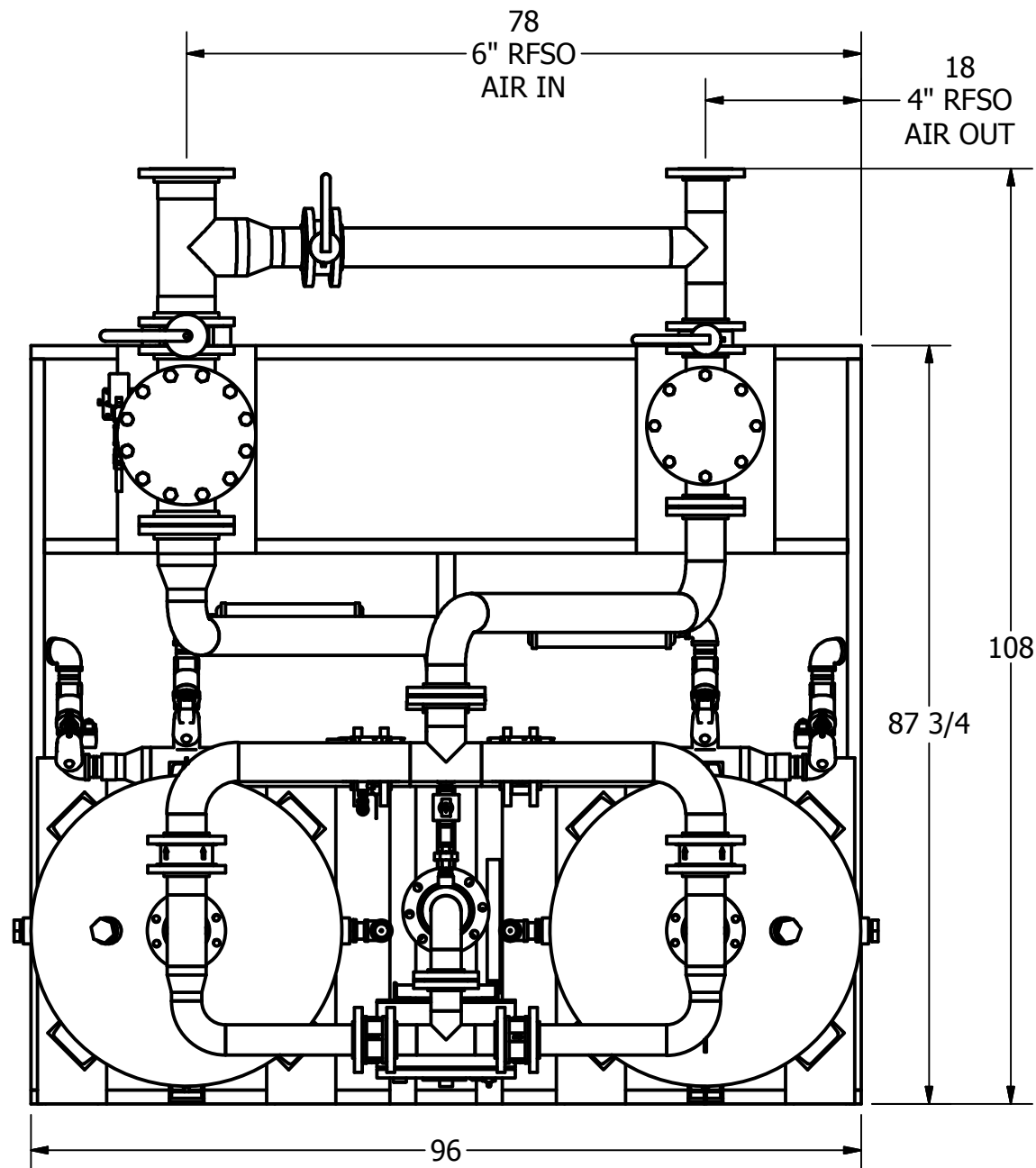
REVISION LOG

REV.	ECO.	DESCRIPTION	DATE	APPROVED
B	1207	PRODUCTION UPDATES	12/21/2021	WS

DRAWING NO. **AT20-954** REV. **B**

DRAWN: WS DATE: 9/1/2017
CHECKED: DATE:

SCALE: N/A SHEET: 1 OF 2



PRELIMINARY



HRE-3000-4-3 HEAT REACTIVATED DESICCANT AIR DRYER GENERAL ARRANGEMENT

TOLERANCES UNLESS OTHERWISE SPECIFIED:

FRACTIONS = ± 1/4 "
 ANGLES = ± 3°
 INCHES = ± 1/2 "
 FINISH = 250

THE SPECIFICATIONS AND DRAWINGS DISCLOSED HEREIN ARE THE SOLE PROPERTY OF ALTEC AIR, AND SHALL NOT BE COPIED OR USED AS THE BASIS FOR SALE OR MANUFACTURE WITHOUT EXPRESS WRITTEN PERMISSION.

REVISION LOG

REV.	ECO.	DESCRIPTION	DATE	APPROVED
B	1207	PRODUCTION UPDATES	12/21/2021	WS

DRAWING NO. **AT20-954** REV. **B**

DRAWN: WS DATE: 9/1/2017
 CHECKED: DATE:

SCALE: N/A SHEET: 2 OF 2

PARTS LIST

ITEM	QTY	DESCRIPTION
1	2	CHECK VALVE, PURGE
2	2	CHECK VALVE, OUTLET
3	1	SOLENOID VALVE, REPRESS
4	1	DEW POINT MONITOR (OPTIONAL)
5	1	PRESSURE REGULATOR, CONTROL
6	1	FILTER, CONTROL
7	1	GATE VALVE, PURGE
8	1	PRESSURE GAUGE, PURGE
9	1	COALESCER PRE-FILTER
10	4	RELIEF VALVE, TANK
11	1	36 KW HEATER
12	2	PRESSURE GAUGE, TANK
13	2	BUTTERFLY VALVE, INLET
14	2	ANGLE BODY VALVE, MAIN EXHAUST
15	2	ANGLE BODY VALVE, PRE-EXHAUST
16	2	MUFFLER, PRE-EXHAUST
17	1	PARTICULATE AFTER FILTER
18	1	ZERO LOSS DRAIN
19	1	PRESSURE GAUGE, CONTROL
20	4200 LBS	DESICCANT

PRELIMINARY

